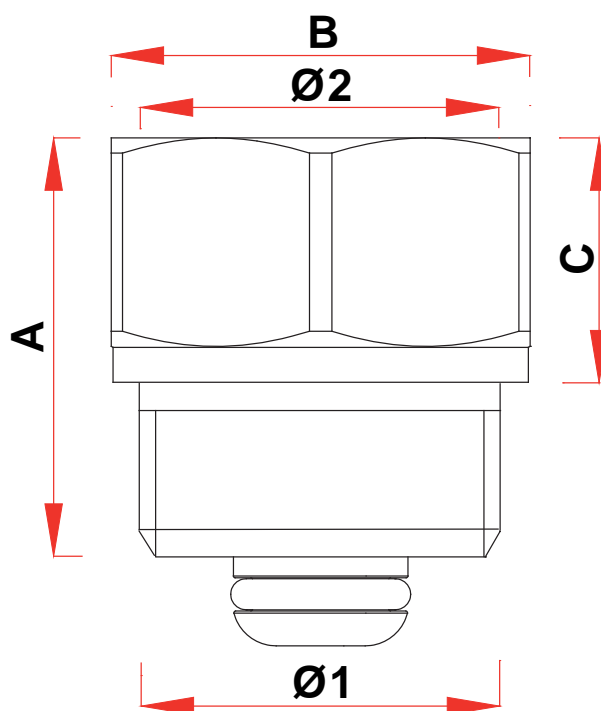


ARTICOLO	Ø1	A	B	C
2040-2043 38	G3/8	57	54	9
2040-2043 12	G1/2	57	54	9

Quote espresse in mm



ARTICOLO	Ø1	Ø2	A	B	C
2075 3814	G3/8	G1/4	21	17	12
2075-2080 38	G3/8	G3/8	23	20	14
2075-2080 3812	G1/2	G3/8	24	22	14
2075-2080 12	G1/2	G1/2	24	24	14

Quote espresse in mm